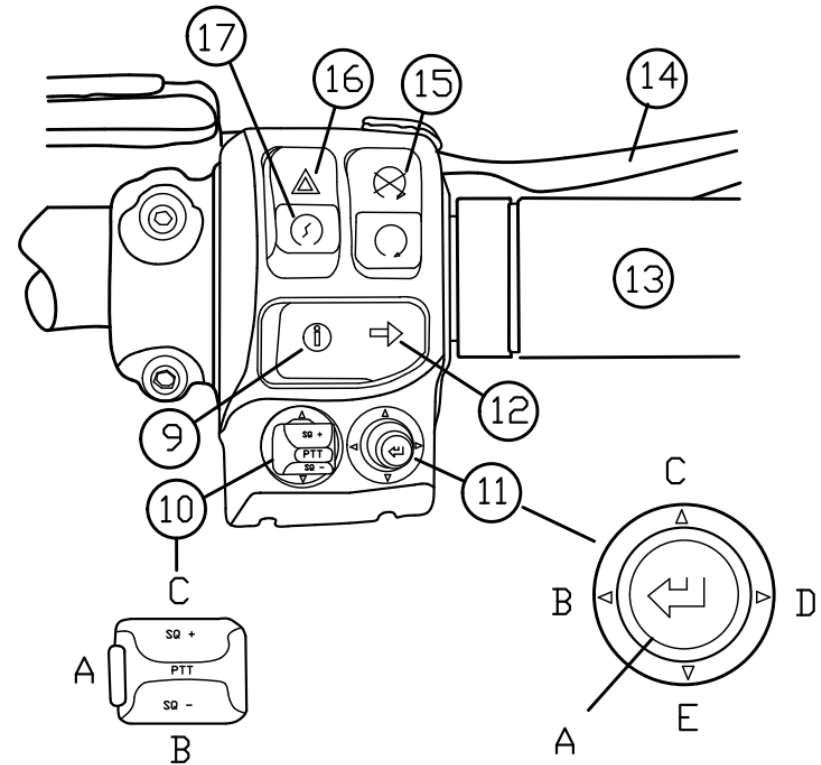
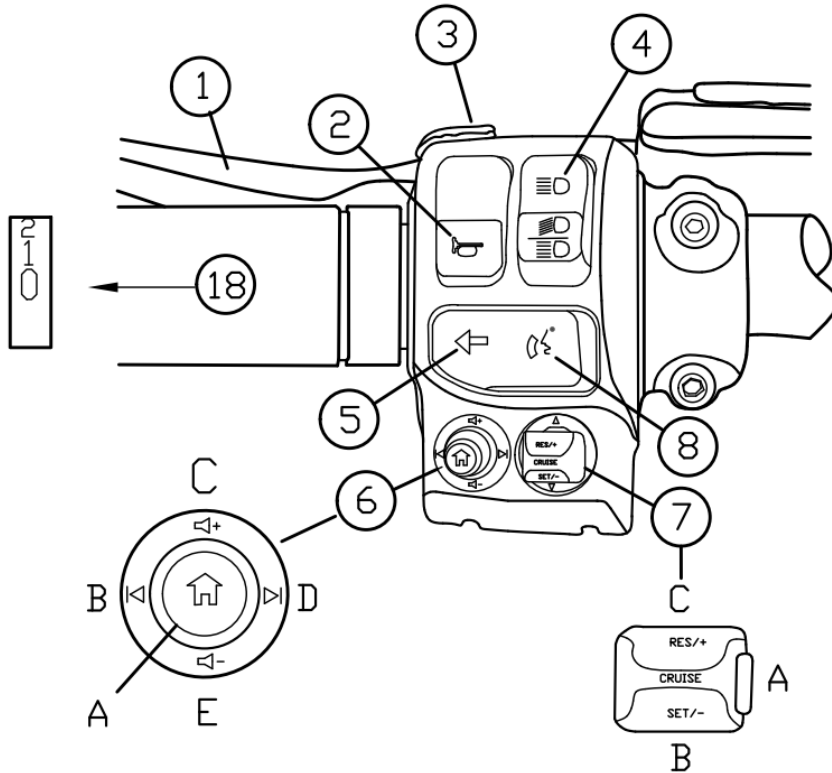




INSTRUCTIONS



- 1. CLUTCH HAND LEVER
- 2. HORN BUTTON
- 3. TRIGGER SWITCH (Odometer)
- 4. HEADLIGHT DIMMER SWITCH
- 5. LEFT TURN SIGNAL
- 6 – A. HOME SWITCH
B. Seek Down or Previous
C. Volume Up
D. Seek Up or Next
E. Volume Down

- 7. CRUISE CONTROL SWITCH
A. Cruise (On / Off)
B. Set / - (Slower)
C. Resume / + (Faster)
- 8. VOICE COMMAND SWITCH
- 9. VEHICLE INFORMATION SWITCH

- 10. CB / INTERCOM
A. Push to Talk
B. Squelch -
C. Squelch +
- 11- A. CURSOR SELECT SWITCH
B. Left
C. Up
D. Right
E. Down

- 12. RIGHT TURN SIGNAL SWITCH
- 13. THROTTLE CONTROL GRIP
- 14. FRONT BRAKE LEVER
- 15. ENGINE OFF / RUN SWITCH
- 16. HAZARD WARNING SWITCH
- 17. ENGINE START SWITCH
- 18. HEATED GRIPS ON / OFF & TEMP